

SIMAG

SDE 34

SDE 40

R 134 A VERSION

HE (High Efficiency)



PLATON SERVICE

8 (800) 500-3447

www.platonservice.com

SPARE PARTS LIST
CATALOGO RICAMBI
CATALOGUE PIÈCES DÉTACHÉES
ERSATZTEILENKATALOG

REV. 10/2015

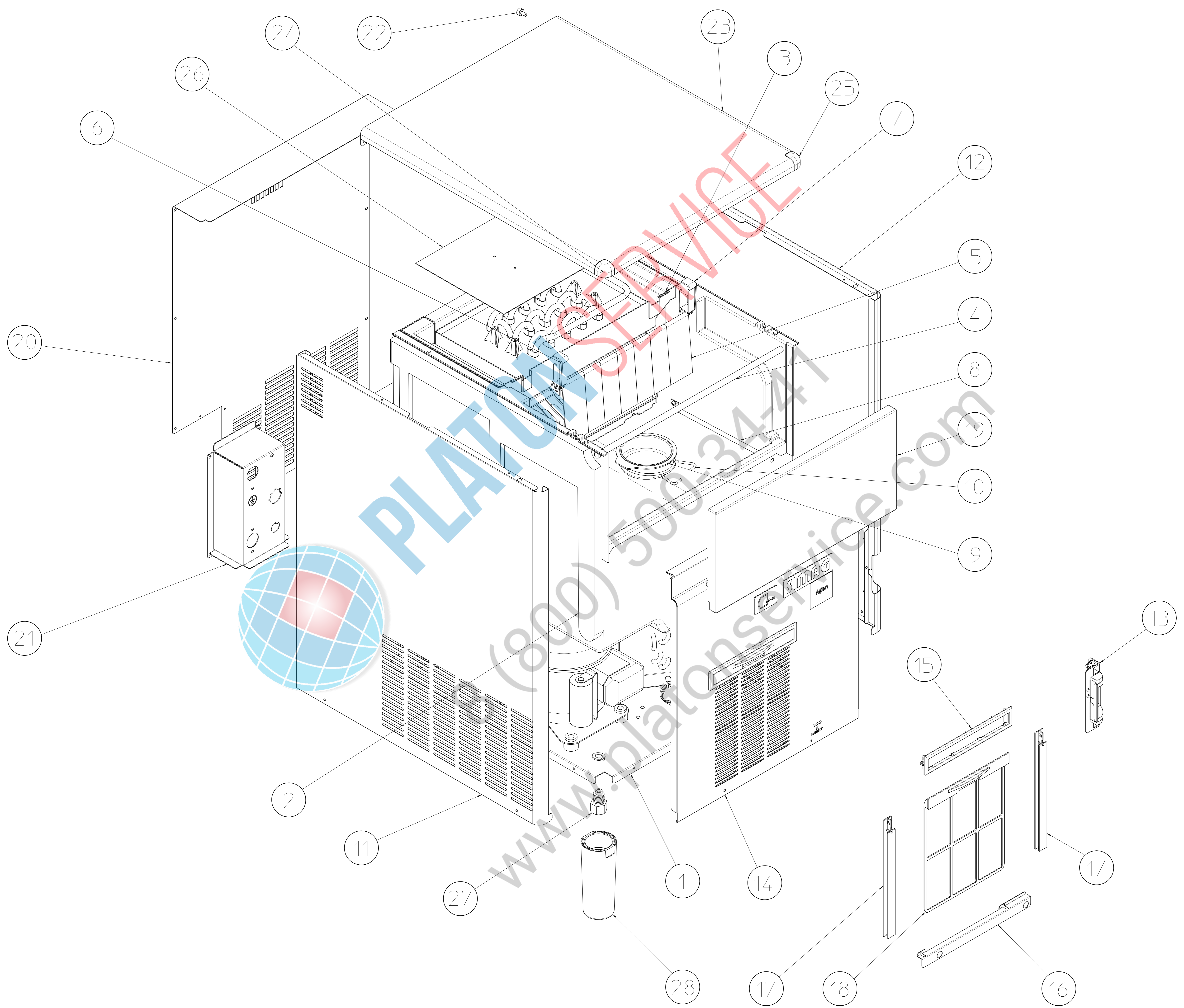
| PAGE PAGINA PAGE SEITE | TABLE OF CONTENTS | INDICE | TABLE DES MATIERES | INHALTVERZEICHNIS |
|---------------------------------|----------------------------------|--|--|-------------------------------|
| 1 | TABLE OF CONTENTS | INDICE | TABLE DES MATIERES | INHALTVERZEICHNIS |
| 2/3 | UNIT PANELS | ASSIEME MOBILE | ENS. CAROSSERIE | MACHINE GEHAUSE |
| 4/5 | REFRIGERANT SYSTEM AIR COOLED | SISTEMA REFRIGERANTE RAFFR. AD ARIA | CIRCUIT FRIGORIFIQUE REFROID. A AIR | GEFRIERSYSTEM LUFTGEKUEHLT |
| 6/7 | WATER SYSTEM | CIRCUITO IDRAULICO | CIRCUIT HYDRAULIQUE | WASSER SYSTEM |
| 8/9 | CONTROL BOX | SCATOLA DI CONTROLLO | BOITE ELECTRIQUE | SCHALTSCHRANK |



PLATON SERVICE

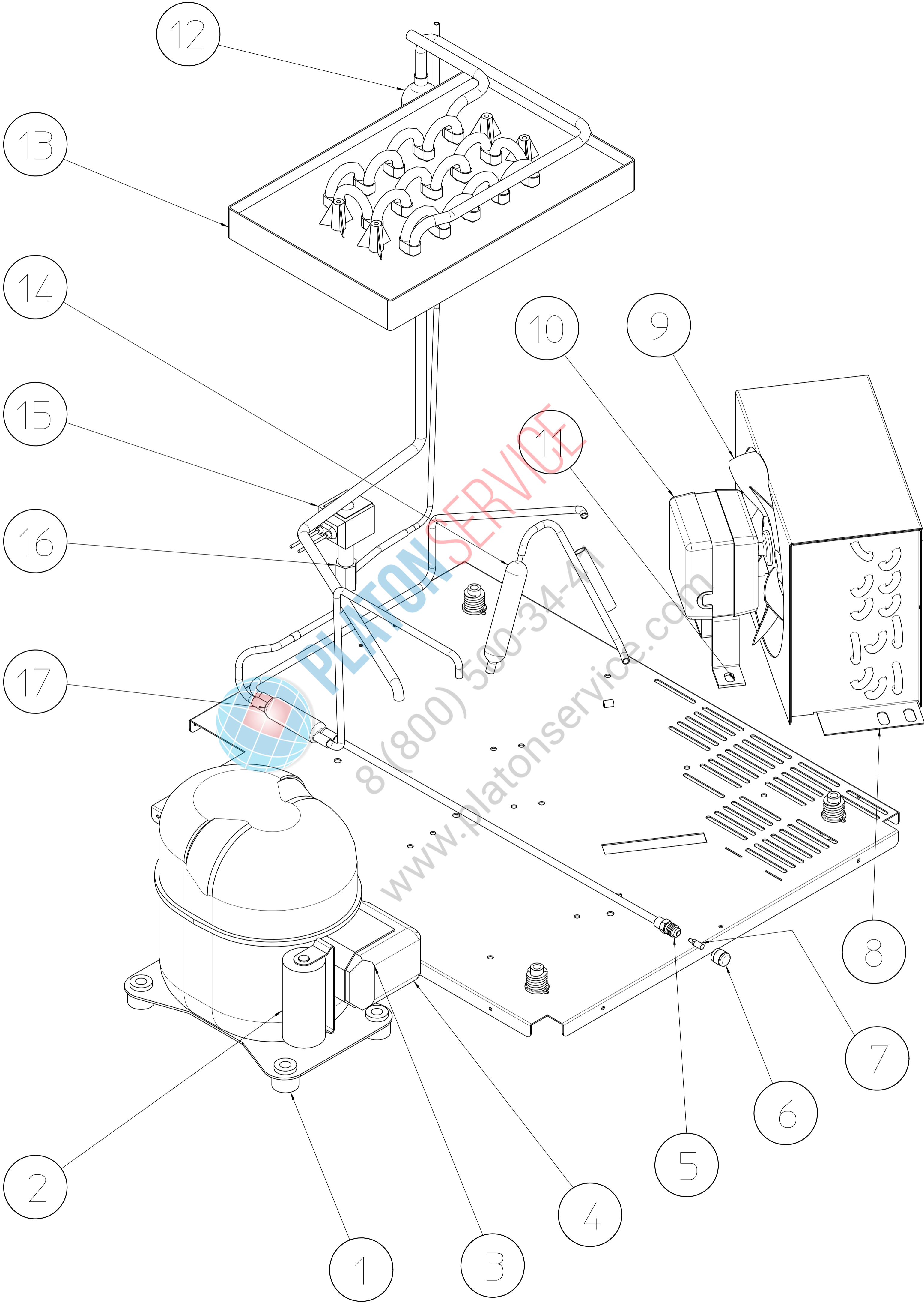
8 (800) 500-34-47

www.platonservice.com



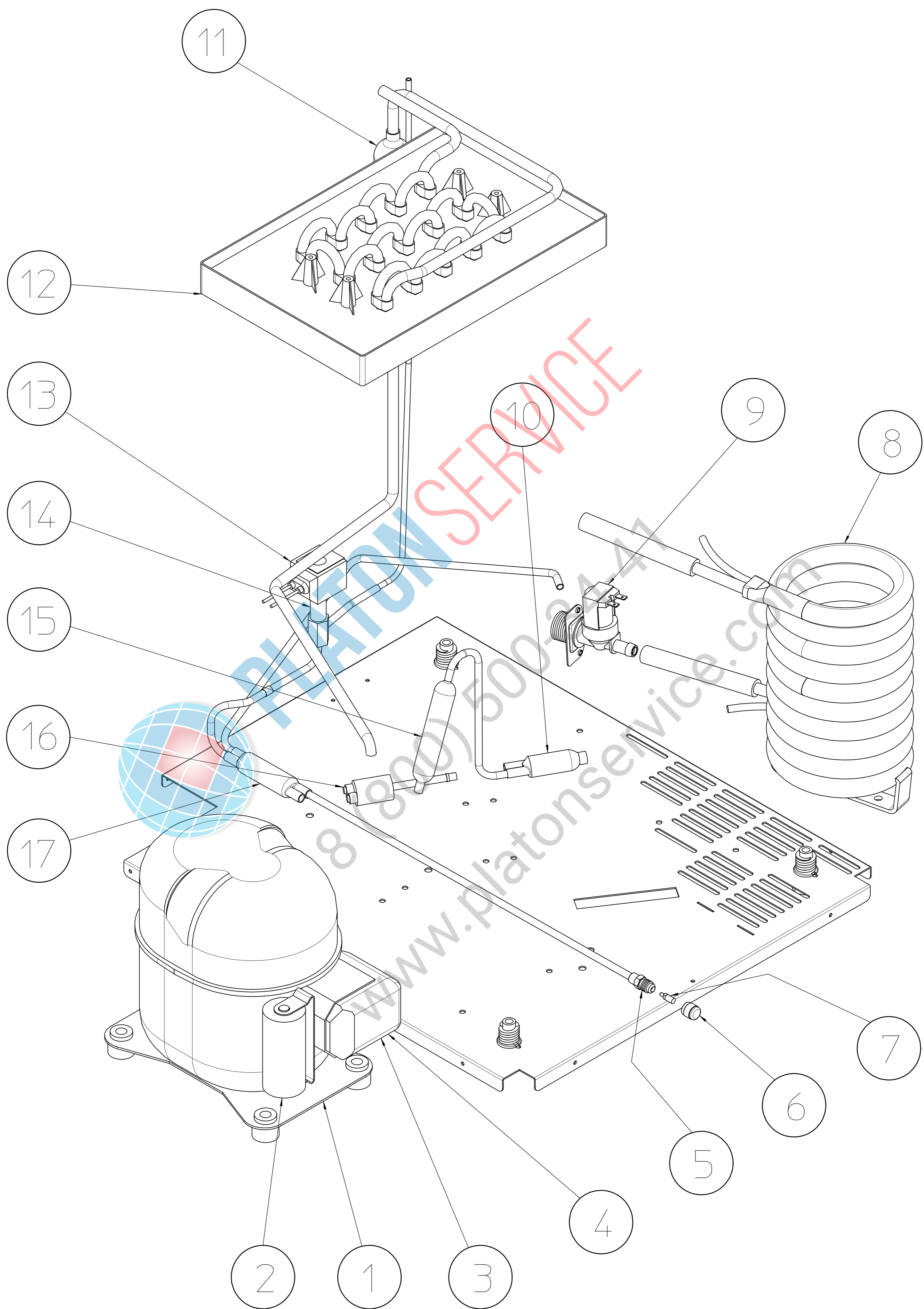
SDE 34 - SDE 40 -UNIT PANELS - ASSIEME MOBILE - ENS. CARROSSERIE - MACHINE GEHAUSE-

| ITEM NO POS. NO REP. NO REF. NO | PART NO CODICE REFERENCE STUECK NR | DESCRIPTION | DESCRIZIONE | DESIGNATION | BESCHREIBUNG |
|--|---|--------------------------------|-----------------------------------|--------------------------------|----------------------------------|
| 1 | 702532 00 | BASE SDE 34 | PIASTRA DI BASE SDE 34 | PLAQUE DE BASE SDE 34 | GRUNDPLATTE SDE 34 |
| | 782692 00 | BASE SDE 40 | PIASTRA DI BASE SDE 40 | PLAQUE DE BASE SDE 40 | GRUNDPLATTE SDE 40 |
| 2 | 782094 03 | INSULATED BIN ASSY SDE 34 | ASSIEME CELLA ISOLATA SDE 34 | ENS. CABINE SDE 34 | ISOLIEREISSPEICHER SDE 34 |
| | 782094 04 | INSULATED BIN ASSY SDE 40 | ASSIEME CELLA ISOLATA SDE 40 | ENS. CABINE SDE 40 | ISOLIEREISSPEICHER SDE 40 |
| 3 | 660635 05 | EVAPORATOR HOUSING SDE 34 | INVOLUCRO EVAPORATORE SDE 34 | CHAMBRE INTERIEUR SDE 34 | CELLE INTERN SDE 34 |
| | 660635 06 | EVAPORATOR HOUSING SDE 40 | INVOLUCRO EVAPORATORE SDE 40 | CHAMBRE INTERIEUR SDE 40 | CELLE INTERN SDE 40 |
| 4 | 732016 07 | BIN DOOR BRACKET | ASTA SPORTELLO | TIGE PORTE | KLAPPENACHSE |
| 5 | 783171 01R | CURTAIN ASSY | ASSIEME TENDINA | ENS. LAMELLE | ABDECKKLAPPE GESAMTHEIT |
| 6 | 660388 00 | LEFT CURTAIN SUPPORT | SUPP. TENDINA SINISTRO | SUPP. LAMELLE GAUCHE | LINKE ABDECKKLAPPE HALTERUNG |
| 7 | 660388 01 | RIGHT CURTAIN SUPPORT | SUPP. TENDINA DESTRO | SUPP. LAMELLE DROITE | RECHTE ABDECKKLAPPE HALTERUNG |
| 8 | 732016 07 | BULB HOLDER | TUBO PORTABULBO | TUBE PORTEBULBE | FUEHLERHALTER |
| 9 | 660741 00 | PLASTIC PLUG | TAPPO INVOLUCRO EVAPORAT. | BOUCHON EN PLASTIQUE | PLASTIKSTOPFEN |
| 10 | 460047 01 | SPRING | MOLLA | RESSORT | FEDER |
| 11 | 722303 00 | LEFT SIDE PANEL S.S. | PANNELLO SINISTRO INOX | JOUE GAUCHE ACIER INOX | LINKE GEHÄUSESEITE EDELSTAHL |
| 12 | 722302 00 | RIGHT SIDE PANEL S.S. | PANNELLO DESTRO INOX | JOUE DROITE ACIER INOX | RECHTEGEHÄUSESEITE EDELSTAHL |
| 13 | 660882 01 | FRONT SWITCH PLASTIC PROTEC. | CARTER PROTEZIONE INTERRUPT. | CARTER PROTECTION INTERRUPT | SCHALTERABDECKUNG |
| 14 | 722305 00 | FRONT. PANEL AIR VERS. SDE 34 | PANNEL. ANTER. VERS. ARIA SDE 34 | PANNEAU AVANT PAR AIR SDE 34 | VORDERWAND EDELST. LUFT SDE 34 |
| | 722305 01 | FRONT. PANEL WAT. VERS. SDE 40 | PANNEL. ANTER. VERS. ACQUA SDE 40 | PANNEAU AVANT REFR. EAU SDE 40 | VORDERWAND EDELST. WASSER SDE 40 |
| 15 | 660886 01 | AIR FILTER SEAT | SEDE FILTRO ARIA | SIEGE FILTER A AIR | LUFTFILTERHALTER |
| 16 | 724422 01 | BRACKET SLIDE AIR FILTER | SUPPORTO GUIDA FILTRO ARIA | SUPPORT GLISSIERE FILTER A AIR | TRAGER FUHRUNF FUR LUFTFILTER |
| 17 | 660887 01 | SLIDE AIR FILTER | GUIDA FILTRO ARIA | GLISSIERE FILTER A AIR | FUHRUNF FUR LUFTFILTER |
| 18 | 660885 01 | AIR FILTER | FILTRO ARIA | FILTER A AIR | LUFT FILTIER |
| 19 | 782092 05R | BIN DOOR | SPORTELLO | PORTE CABINE | SPEICHERTUER |
| 20 | 702533 00 | REAR PANEL | PANNELLO POSTERIORE | PANNEAU POSTERIEUR | HINTERE ABDECKUNG |
| 21 | 702526 00 | METAL BRACKET FOR FITTING | SUPPORTO ATTACCHI | SUPPORT DE RACCORDS | METALLTRÄGER |
| 22 | 650806 00 | REAR STUD | PERNO POSTERIORE | AXE | STIFT |
| 23 | 722304 00 | TOP PANEL S.S. | PANNELLO SUPERIORE INOX | ENS. COUVERCLE | DECKEL GESAMTHEIT |
| 24 | 660884 05 | LEFT TOP CAP | TAPPO IN PLASTICA SINISTRO | CAPUCHON EN PLAST. GAUCHE | PLASTIK PROFEN LINK |
| 25 | 660884 04 | RIGHT TOP CAP | TAPPO IN PLASTICA DESTRO | CAPUCHON EN PLAST. DROITE | PLASTIK PROFEN RECHT |
| 26 | 650708 00 | PLASTIC COVER | COPERTURA IN PLASTICA | PROTECTION EN PLASTIQUE | PLASTIKABDECKUNG |
| 27 | 650382 01 | LEVELLING FOOT SDE 34 | PIEDE REGOLABILE SDE 34 | PIED RÉGLABE SDE 34 | GERÄTEFUSS SDE 34 |
| 28 | 660638 02 | LEVELLING FOOT SDE 40 | PIEDE REGOLABILE SDE 40 | PIED RÉGLABE SDE 40 | GERÄTEFUSS SDE 40 |
| | | | | | |



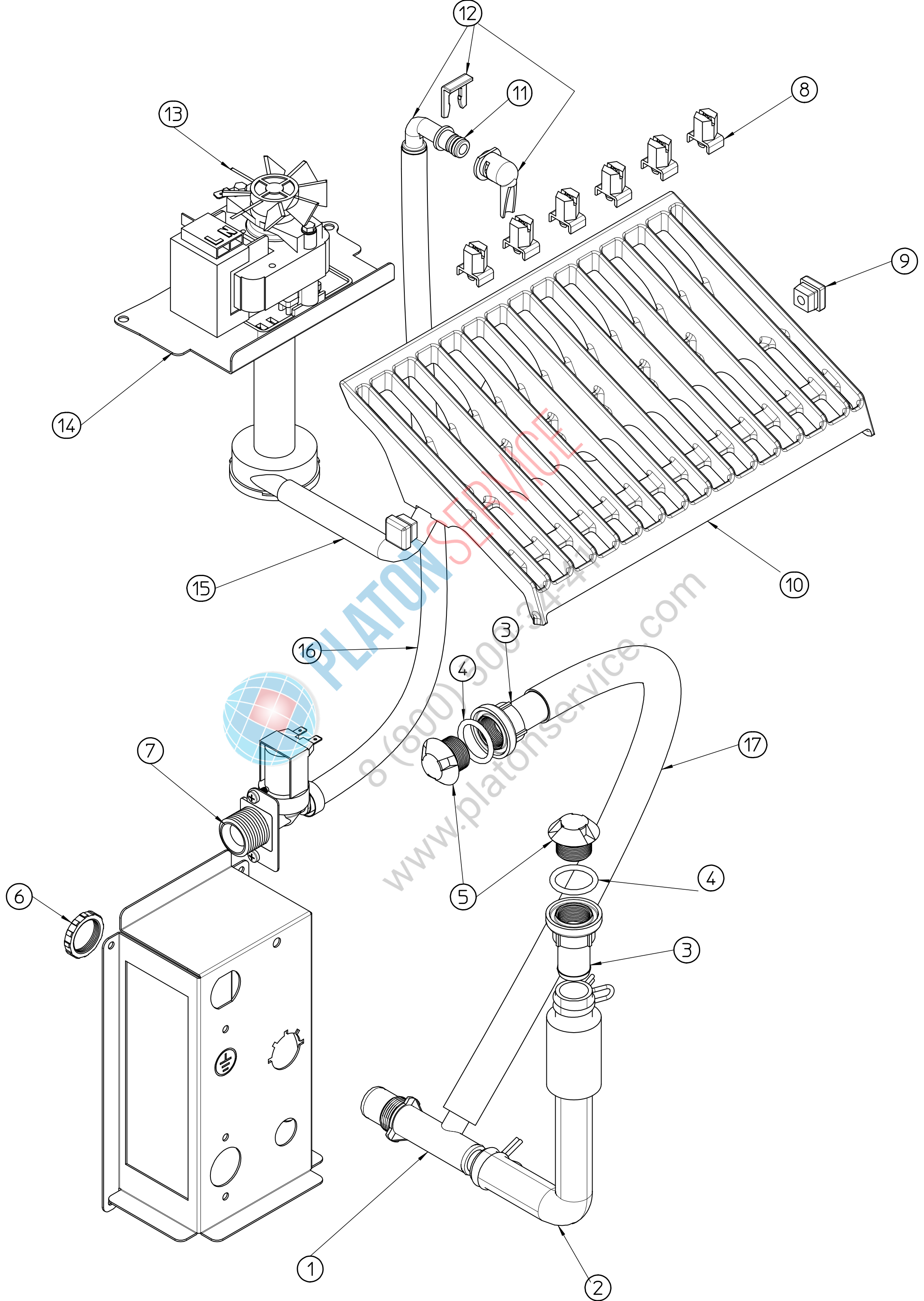
SDE 34 - SDE 40 - REFRIGERANT SYSTEM AIR COOLED - SISTEMA REFRIGERANTE RAFFR. AD ARIA
CIRCUIT FRIGORIFIQUE REFROID. PAR AIR - LUFTGEKÜHLT GEFRIERSYSTEM

| ITEM NO POS. NO REP. NO REF. NO | PART NO CODICE REFERENCE STUECK NR | DESCRIPTION | DESCRIZIONE | DESIGNATION | BESCHREIBUNG |
|--|---|-----------------------------|-----------------------------|--------------------------|---------------------------------|
| 1 | 670105 03 | COMPRESSOR | COMPRESSORE | COMPRESSEUR | KOMPRESSOR |
| 2 | EMB 2252347 | START CAPACITOR | CONDENSATORE D'AVVIAMENTO | CAPACITE DE DEMARRAGE | START CONDENSATOR |
| 3 | EMB 2319069 | PROTECTOR | PROTETTORE | PROTECTEUR | SCHUTZGERAT |
| 4 | EMB 2334116 | RELAY | RELE' | RELAIS | RELAIS |
| 5 | 650109 00 | VALVE BODY | CORPO VALVOLA | CORPS DE VANNE | VENTILGEHAUSE |
| 6 | 670012 00 | VALVE PISTON | PISTONCINO VALVOLA | PISTON | VENTILKOLBEN |
| 7 | 650106 00 | VALVE CAP | CAPPuccio VALVOLA | CAPUCHON DE VANNE | VENTILKLAPPE |
| 8 | 620285 00 | AIR COOLED CONDENSER SDE 34 | CONDENSATORE AD ARIA SDE 34 | CONDENSEUR A AIR SDE 34 | LUFT KONDENSATOR SDE 34 |
| | 620276 02 | AIR COOLED CONDENSER SDE 40 | CONDENSATORE AD ARIA SDE 40 | CONDENSEUR A AIR SDE 40 | LUFT KONDENSATOR SDE 40 |
| 9 | 620419 32 | FAN BLADE | VENTOLA | HELICE | FLUGEL |
| 10 | 620419 02 | FAN MOTOR | MOTOVENTILATORE | MOTO-VENTILATEUR | LÜFTER GESAMTHEIT |
| 11 | 620419 61 | FAN MOTOR BRACKET | STAFFA VENTILATORE | SUPPORT MOTORVENTILATEUR | LÜFTER MOTOR TRAEGER |
| 12 | 784444 09 | ACCUMULATOR ASSY SDE 34 | ASSIEME ACCUMULATORE SDE 34 | ENS. ACCUMULATEUR SDE 34 | SAMMLER UND SAUGLEITUNG. SDE 34 |
| | 784444 01 | ACCUMULATOR ASSY SDE 40 | ASSIEME ACCUMULATORE SDE 40 | ENS. ACCUMULATEUR SDE 40 | SAMMLER UND SAUGLEITUNG. SDE 40 |
| 13 | 784478 00R | EVAPORATOR SDE 34 | EVAPORATORE SDE 34 | EVAPORATEUR SDE 34 | VERDAMPFER SDE 34 |
| | 784479 00R | EVAPORATOR SDE 40 | EVAPORATORE SDE 40 | EVAPORATEUR SDE 40 | VERDAMPFER SDE 40 |
| 14 | 630003 05 | DRIER | FILTRO DEUMIDIFICATORE | FILTRE DESHYDRATEUR | TROCKNER |
| 15 | 620306 48 | HOT GAS VALVE COIL | BOBINA VALVOLA GAS CALDO | BOBINE VANNE GAZ CHAUD | HEISSGAZ VENTIL SPULE |
| 16 | 620306 14 | HOT GAS VALVE BODY SDE 34 | CORPO VALVOLA SDE 34 | CORPS DE VANNE SDE 34 | VENTILGEHAUSE SDE 34 |
| | 620306 22 | HOT GAS VALVE BODY SDE 40 | CORPO VALVOLA SDE 40 | CORPS DE VANNE SDE 40 | VENTILGEHAUSE SDE 40 |
| 17 | 630137 00 | MECHANICAL FILTER | FILTRO MECCANICO | FILTRE MECANIQUE | MECHANISCHFILTERN |
| | | | | | |



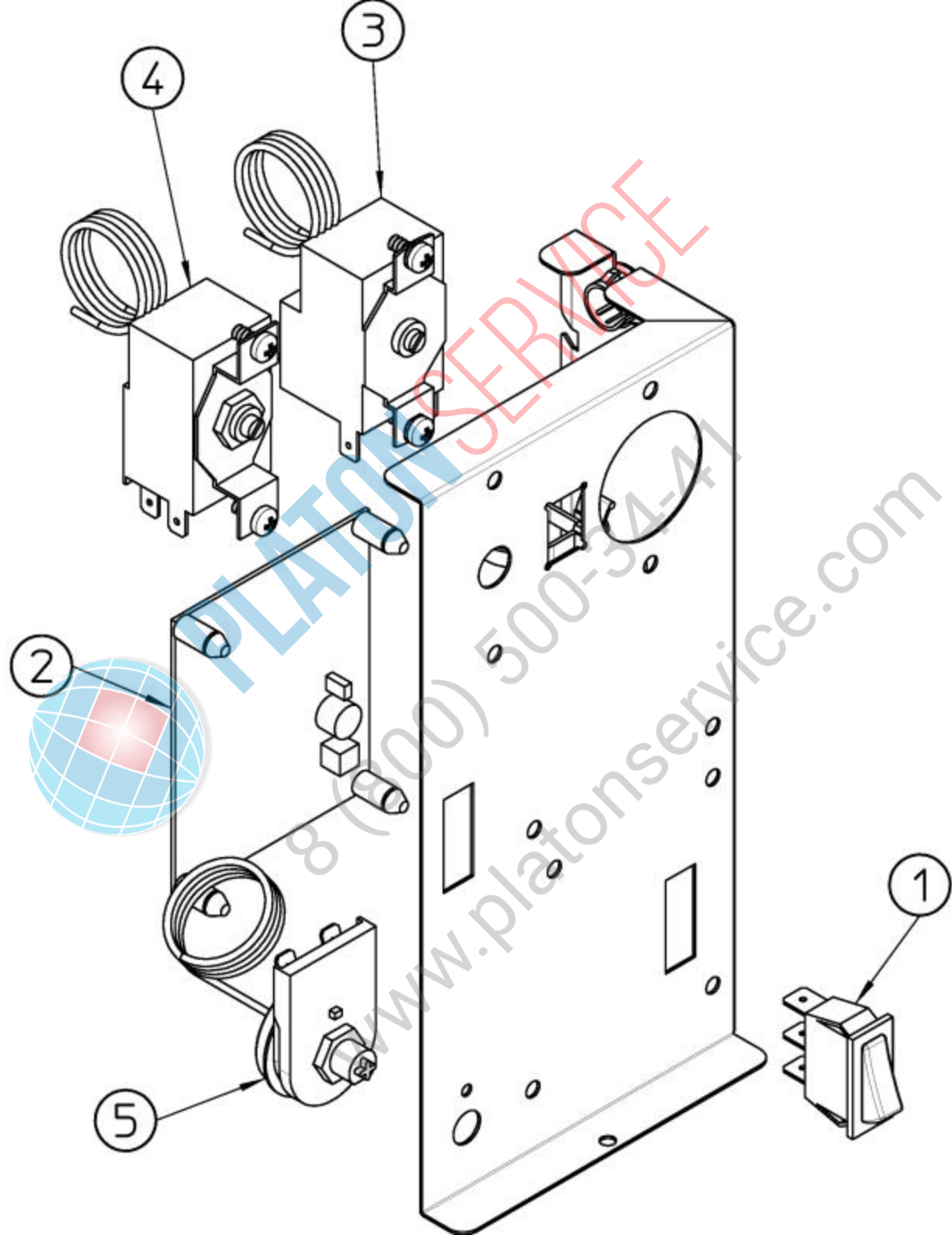
**SDE 34 - SDE 40 - REFRIGERANT SYSTEM WATER COOLED - SISTEMA REFRIGERANTE RAFFR. AD ACQUA
CIRCUIT FRIGORIFIQUE REFROID. PAR EAU - WASSERGEKÜHLT GEFRIERSYSTEM**

| ITEM NO POS. NO REP. NO REF. NO | PART NO CODICE REFERENCE STUECK NR | DESCRIPTION | DESCRIZIONE | DESIGNATION | BESCHREIBUNG |
|--|---|---------------------------|-----------------------------|--------------------------|---------------------------------|
| 1 | 670105 03 | COMPRESSOR | COMPRESSORE | COMPRESSEUR | KOMPRESSOR |
| 2 | EMB 2252347 | START CAPACITOR | CONDENSATORE D'AVVIAMENTO | CAPACITE DE DEMARRAGE | START CONDENSATOR |
| 3 | EMB 2319069 | PROTECTOR | PROTETTORE | PROTECTEUR | SCHUTZGERAT |
| 4 | EMB 2334116 | RELAY | RELE' | RELAIS | RELAIS |
| 5 | 650109 00 | VALVE BODY | CORPO VALVOLA | CORPS DE VANNE | VENTILGEHAUSE |
| 6 | 670012 00 | VALVE PISTON | PISTONCINO VALVOLA | PISTON | VENTILKOLBEN |
| 7 | 650106 00 | VALVE CAP | CAPPUCCIO VALVOLA | CAPUCHON DE VANNE | VENTILKLAPPE |
| 8 | 620389 02 | WATER COOLED CONDENSER | CONDENSATORE AD ACQUA | CONDENSEUR A EAU | WASSER KONDENSATOR |
| 9 | 650105 70 | WATER INLET VALVE | ELETTROVALVOLA | VANNE ARRIVÉE EAU | ELEKTROVENTIL |
| 10 | 630020 01 | MECHANICAL FILTER | FILTRO MECCANICO | FILTRE MECANIQUE | MECHANISCHFILTERN |
| 11 | 784444 09 | ACCUMULATOR ASSY SDE 34 | ASSIEME ACCUMULATORE SDE 34 | ENS. ACCUMULATEUR SDE 34 | SAMMLER UND SAUGLEITUNG. SDE 34 |
| | 784444 01 | ACCUMULATOR ASSY SDE 40 | ASSIEME ACCUMULATORE SDE 40 | ENS. ACCUMULATEUR SDE 40 | SAMMLER UND SAUGLEITUNG. SDE 40 |
| 12 | 784478 00R | EVAPORATOR SDE 34 | EVAPORATORE SDE 34 | EVAPORATEUR SDE 34 | VERDAMPFER SDE 34 |
| | 784479 00R | EVAPORATOR SDE 40 | EVAPORATORE SDE 40 | EVAPORATEUR SDE 40 | VERDAMPFER SDE 40 |
| 13 | 620306 48 | HOT GAS VALVE COIL | BOBINA VALVOLA GAS CALDO | BOBINE VANNE GAZ CHAUD | HEISSGAZ VENTIL SPULE |
| 14 | 620306 14 | HOT GAS VALVE BODY SDE 34 | CORPO VALVOLA SDE 34 | CORPS DE VANNE SDE 34 | VENTILGEHAUSE SDE 34 |
| | 620306 22 | HOT GAS VALVE BODY SDE 40 | CORPO VALVOLA SDE 40 | CORPS DE VANNE SDE 40 | VENTILGEHAUSE SDE 40 |
| 15 | 630003 05 | DRIER | FILTRO DEUMIDIFICATORE | FILTRE DESHYDRATEUR | TROCKNER |
| 16 | 620499 01 | PRESSURE CONTROL | PRESSOSTATO | PRESSOSTAT | PRESSOSTAT |
| 17 | 630137 00 | MECHANICAL FILTER | FILTRO MECCANICO | FILTRE MECANIQUE | MECHANISCHFILTERN |
| | | | | | |



SDE 34 - SDE 40 -WATER SYSTEM - CIRCUITO IDRAULICO - CIRCUIT HYDRAULIQUE - WASSERSYSTEM-

| ITEM NO POS. NO REP. NO REF. NO | PART NO CODICE REFERENCE STUECK NR | DESCRIPTION | DESCRIZIONE | DESIGNATION | BESCHREIBUNG |
|--|---|-------------------------------|--------------------------------|--------------------------------|------------------------------|
| 1 | 660224 00 | WATER DRAIN FITTING | RACCORDO A "T" | RACCORD EVACUATION EAU | WASSERABFLUSSANSCHLUSSE |
| 2 | 610148 09 | STORAGE BIN DRAIN | TUBO SCARICO CONTENITORE | TUYAU VIDANGE CONTENEUR | BEHÄLTERAUSLAUFSCHLAUCH |
| 3 | 660219 02 | BIN DRAIN | RACCORDO DI SCARICO | RACCORD EVACUATION | ABFLUSSROHR |
| 4 | 640134 00 | O-RING | GUARNIZIONE | JOINT TORIQUE | SIMMER RING |
| 5 | 660211 01 | DRAIN FILTER | FILTRO SCARICO | FILTRE EVACUATION EAU | ABFLUSSFILTER |
| 6 | 660535 00 | PLASTIC RING NUT | GHIERA | COLLIER DE SERRAGE EN PLAST. | PLASTIKRING MUTTER |
| 7 | 650105 66 | WATER INLET VALVE - AIR COOL. | ELETTROVALVOLA INGR. ACQUA | ELECTROV. ARR. EAU - REFR. AIR | WASSEREINLAUFVENTIL - LUFT |
| | 650105 70 | WATER INL. VAL. - WATER COOL. | ELETTROVALVOLA INGR. ACQUA | ELECTROV. ARR. EAU - REFR. EAU | WASSEREINLAUFVENTIL - WASSER |
| 8 | 660558 00 | SPRAY JET | SPRUZZATORI | GICLEURS | SPRÜHDÜSEN |
| 9 | 660557 00 | SPRAY CUP | UGELLO SPRUZZATORE | BOUCHON POUR COLLECTEUR | STOPFEN |
| 10 | 661029 02 | SPRAY BAR & CHUTE SDE 34-40 | ASS. PIASTRA SPRUZZ. SDE 34-40 | ENS. RAMPE D'ARROS. SDE 34-40 | SPRÜHSYSTEM SDE 34-40 |
| 11 | 640041 31 | O-RING | GUARNIZIONE | JOINT TORIQUE | SIMMER RING |
| 12 | 793172 00R | WATER INLET ELBOW ASSY | ASS. INGR. ACQUA A GOMITO | ENS. ENTREE EAU COUDEE | ABGEWINKEL ZULAUFROHR |
| 13 | 620433 00 | WATER PUMP | POMPA | POMPE A EAU | WASSER PUMPE |
| 14 | 724332 00 | METAL BRACKET | SUPPORTO POMPA | SUPPORT METALLIQUE | METALTRAEGER |
| 15 | 610225 00 | PUMP INLET WATER PIPE | TUBO MANDATA POMPA | TUYAU EVACUATION | ABFLUSSROHR |
| 16 | 281900 01 | PLASTIC TUBE - PER METER | TUBO INGRESSO ACQUA | TUYAU EN PLASTIQUE - POUR MT. | PLASTIK ROHR - PRO METER |
| 17 | 610204 00 | OVERFLOW DRAIN TUBE | TUBO SCARICO TROPPO PIENO | TUYAU VIDANGE TROP PLAIN | BEHÄLTER ABLAUF |
| | | | | | |



SDE 34 - SDE 40 - CONTROL BOX - SCATOLA DI CONTROLLO - BOITE ELECTRIQUE - SCHALTSCHRANK -

| ITEM NO POS. NO REP. NO REF. NO | PART NO CODICE REFERENCE STUECK NR | DESCRIPTION | DESCRIZIONE | DESIGNATION | BESCHREIBUNG |
|--|---|-----------------------|-------------------------|------------------------|------------------------|
| 1 | 620453 00 | SWITCH | INTERRUTTORE LUMINOSO | INTERRUPTEUR LUMINEUX | SCHALTER |
| 2 | 620507 00 | ELECTRONIC TIMER | TIMER ELETTRONICO | MINUTERIE ELECTRONIQUE | ELEKTRONISCHER TIMER |
| 3 | 630005 00 | BIN THERMOSTAT | TERMOSTATO CONTENITORE | THERMOSTAT CONTENEUR | BEHÄLTER THERMOSTAT |
| 4 | 620201 01 | EVAPORATOR THERMOSTAT | TERMOSTATO EVAPORATORE | THERMOSTAT EVAPORATEUR | VERDAMPFER THERMOSTAT |
| 5 | 620443 02 | THERMOSTAT - SAFETY | TERMOSTATO DI SICUREZZA | THERMOSTAT DE SECURITÉ | SICHERHEITS THERMOSTAT |
| | | | | | |



PLATON SERVICE
8 (800) 500-34
www.platonservice.com



PLATON SERVICE

8 (800) 500-34-41

www.platonservice.com



SIMAG

Via Pascoli, 22 - 20010 Pogliano Milanese (Milano) Italy
Tel. +39 02 93900215 (Commerciale - Sales Dept.)
Tel. +39 02 93960357 (Assistenza - Service Dept.)
Fax +39 02 93900226 (Commerciale - Sales Dept.)
Fax +39 02 93960366 (Assistenza - Service Dept.)
E-mail: sales@simag.it • service@simag.it
www.simag.it

